


Product Change Notification (PCN)

PCN no.: PCN-086 rev.1.0		Date: 2013-08-16
Device affected:		Device version / Build Code:
nRF24E2G-R7		B
nRF24E1G-R7		B
nRF51422-QFAA-R7		C0
nRF51822-QFAA-R7		C0
nRF51822-QFAB-R7		A0
nRF24LE1-F16Q48-R7		C
nRF24LE1-O17Q48-R7		D / O
Data sheet references: NA	Agreement reference: NA	Customers reference: NA

Description of change:	
Migration of 7in Reel used for these devices manufactured at Amkor Technologies Philippines from Philko to Peak as Reel provider.	
Impact: Does the change affect <u>product</u> :	
1. Form	<input type="checkbox"/> No <input checked="" type="checkbox"/> Yes – describe: Color and outer diameter, see below
2. Fit	<input checked="" type="checkbox"/> No <input type="checkbox"/> Yes – describe:
3. Function	<input checked="" type="checkbox"/> No <input type="checkbox"/> Yes – describe:
4. Quality or Reliability	<input checked="" type="checkbox"/> No <input type="checkbox"/> Yes – describe:
Classification of change	<input checked="" type="checkbox"/> Minor <input type="checkbox"/> Major
Reason for change:	
Tool end-of-life at existing reel provider.	
Consequences of change:	
None negative.	
Verification:	
Old and new materials comply with industry standards and PASSED Amkor's acceptance procedure.	
Marking/Shipping labels:	
No changes in marking or shipping labels.	
Change active from (date):	Change active from (lot no/date code):
November 2013	1345
Last time order (date): (optional)	Final shipment date: (optional)
NA	NA
Attachments:	<input type="checkbox"/> No <input checked="" type="checkbox"/> Yes – describe: Material Properties Data Sheet of New Reel (Peak)
 <small>MPDS of Plastic Reel rev.0.pdf</small>	
Technical contact at Nordic Semiconductor:	Commercial contact at Nordic Semiconductor:
Contact: Maria Cristina Sario Title: Project Manager e-mail: maria.cristina.sario@nordicsemi.no	Contact: Thomas Embla Bonnerud Title: Product Manager e-mail: thomas.embla.bonnerud@nordicsemi.no

Product Change Notification (PCN)

Authorization for Nordic Semiconductor

Product Manager

Date: 2013-08-16

Sign:



Quality Director

Date: 2013-08-16

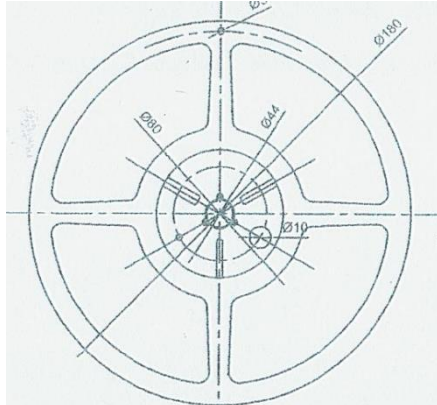
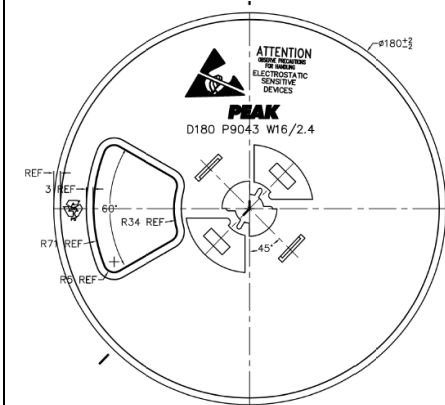
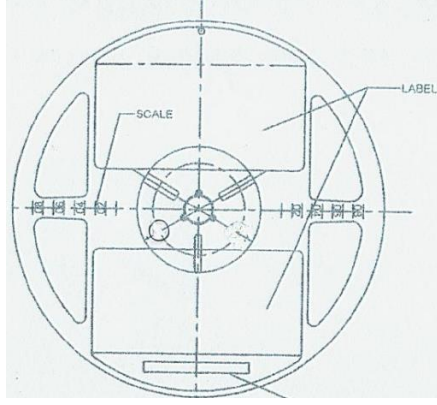
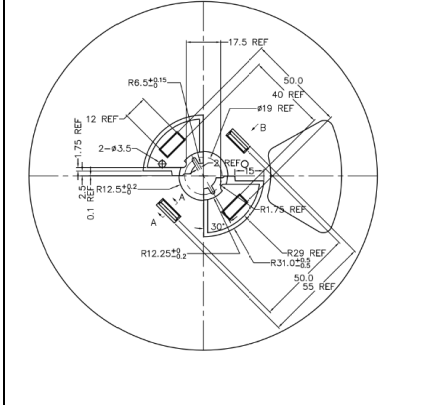

Sign:



Please note that all last time buy orders are non-cancellable and non-returnable.

Product Change Notification (PCN)

Appendix: Change details

	EXISTING	NEW
SUPPLIER	PHILKO	PEAK
REEL TYPE	LITE REEL	LOCK REEL
COLOR	WHITE	BLACK
DIMENSIONS	178 mm -1.0/+2.0 (60mm hub)	180mm +/- 2.0 (60mm hub)
MATERIAL	POLYSTYRENE	POLYSTYRENE
LEFT SIDE VIEW		
RIGHT SIDE VIEW		
ACTUAL PHOTO		

Material Properties Data Sheet

PS Reel



Page 1 of 2

Date Revised : Dec. 13, 2012

Revision No.: 0

Product Name : PS REEL

PS stands for Polystyrene

Manufacturer : PEAK Plastic & Metal Products(Int'l) Ltd.

188 Industrial Estate, Henggang Town, Longgang District

Shenzhen, PRC

General Information: 86-755-6129-5976

Properties	Test Method	S.I. Unit		English Unit	
		Unit	Value	Unit	Value
General					
Melt Flow Rate(200°C/5kg)	ASTM D1238	g/10 min	4.5	g/10 min	4.5
Specific Gravity	ASTM D792	-	1.04	-	1.04
Linear Thermal Expansion(10 ⁻⁵)		cm/cm/°C	7.6	in/in/°F	4.2
Mold Shrinkage	ASTM D955	cm/cm	0.004-0.007	in/in	0.004-0.007
Mechanical					
Yield Tensile Strength	ASTM D638	MPa	28	psi	4,000
Ultimate Tensile Strength	ASTM D638	MPa	28	psi	4,000
Ultimate Elongation	ASTM D638	%	50	%	50
Flexural Strength	ASTM D790	MPa	50	psi	7,300
Flexural Modulus	ASTM D790	MPa	2,007	psi	291,000
Notched Izod @ 23°C	ASTM D256	J/m	128	ft-lb/in	2.4
Thermal					
Vicat Softening Point	ASTM D1525	°C	105	°F	221
Deflection Temperature Under Load @ 1.82 MPa, unannealed	ASTM D648	°C	75	°F	167
Deflection Temperature Under Load @ 1.82 MPa, annealed	ASTM D648	°C	99	°F	210
Electrical					
Surface Resistivity	ASTM D257	Ω/sq	1X10 ⁵ ~ 1X10 ¹¹	Ω/sq	1X10 ⁵ ~ 1X10 ¹¹

Flammability

UL94 Flame Class, 1.57mm
thickness

UL94

Rating

HB

Rating

HB

Shelf life

2 years after manufacturing date under recommended storage conditions

* All test performed under laboratory condition.

* This data are intended as a general guide only.